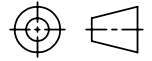
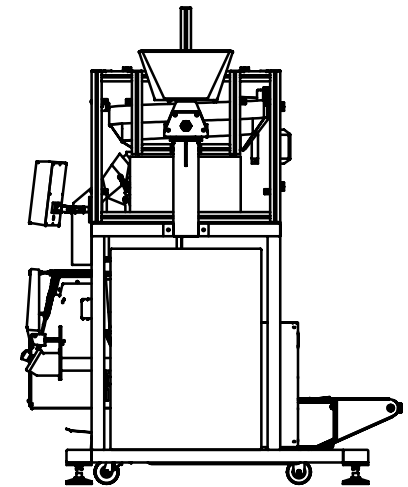
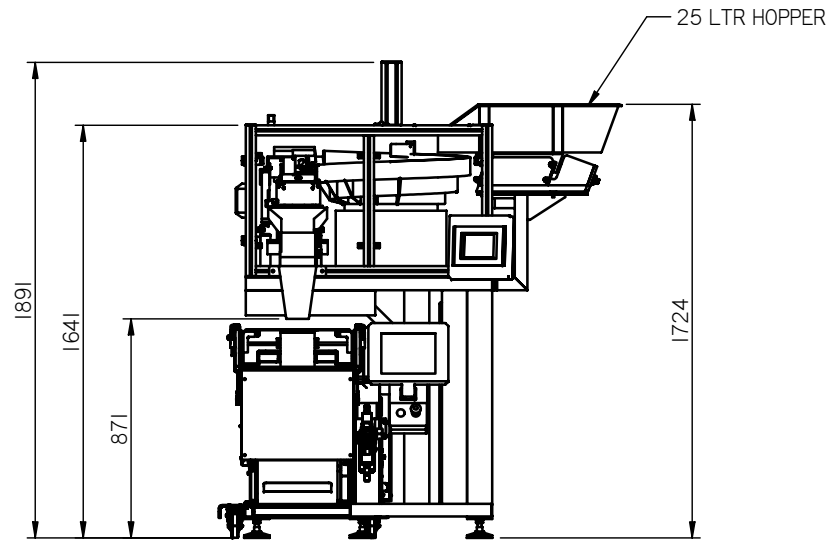
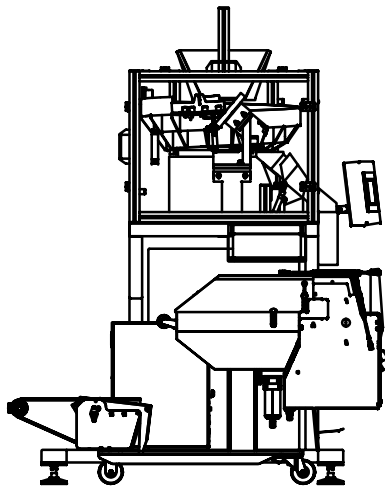
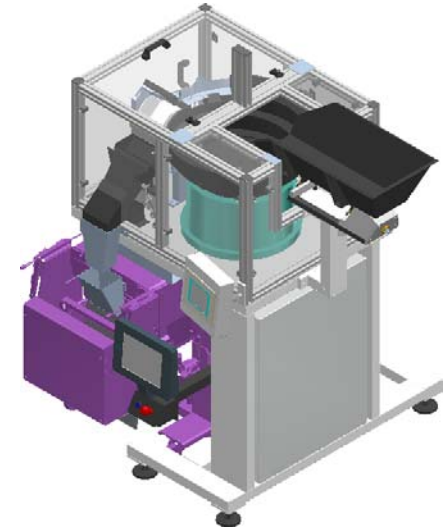
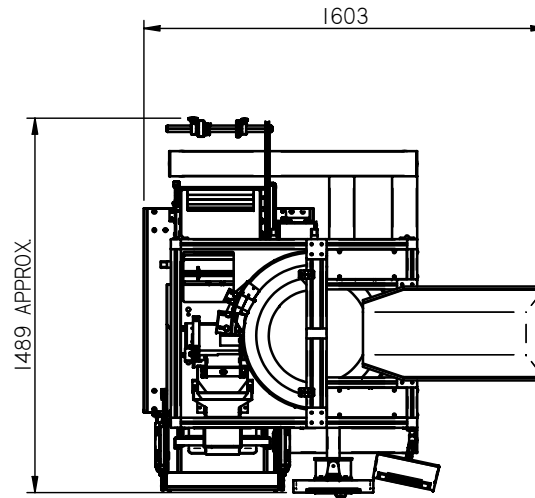
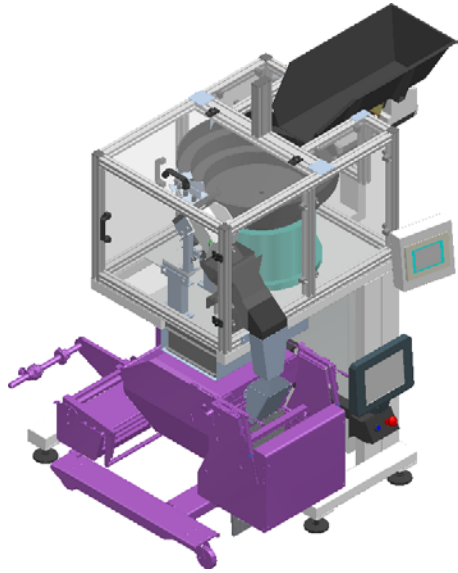


ALL DIMENSIONS IN MM



DRC No. CCL1867EA



No.	DESCRIPTION	CHK'D	APP'D	DATE
REVISIONS				

**COMCOUNT** LTD.

TITLE  
BFW650AB

DRAWN RJDC	CHECKED RJDC	C.A.D. REFERENCE	DATE 18/09/2012
DRAWING No. CCL1867GA			SCALE A3 1:20